

Concealed Door Closer

Totally recessed design,
for sleek decor-enhancing elegance.



No. 600 series

Concealed Door Closer

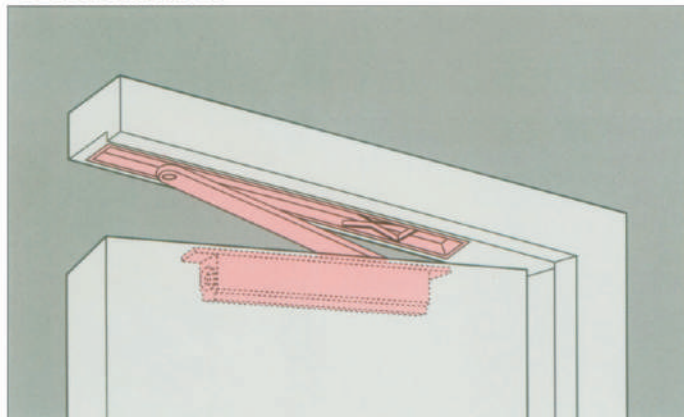
**New...
Super-thin...
Ideal for regular or
aluminum sash doors**



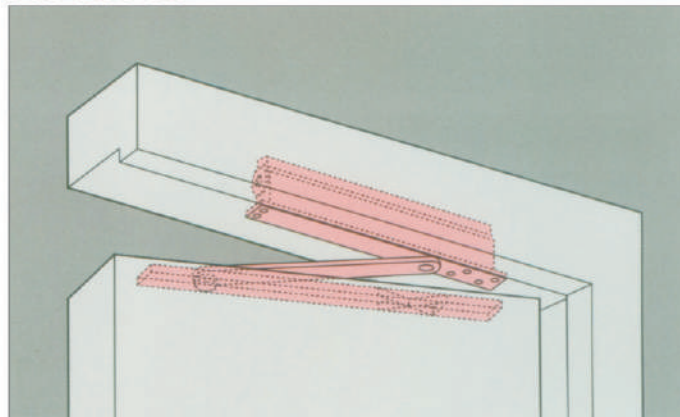
28 mm

Aluminium Body

Standard



Reverse



Close the door, and the door closer remains out of sight. Open it, and the closer's sleek lines lend beauty to your room decor. With light and smooth action, outstanding performance and superb durability, the 600U Series NHN Concealed Door Closer offers quietness and style in guest rooms, studier and other rooms.

Features

1. With the door closed, the main body and lever are concealed to streamline the external appearance....available for standard and reverse-installation closers.
2. The super-thin main body can be installed even on thin doors....aluminum doors, standard steel doors, wooden doors, etc.
3. The refined design, providing smooth opening and closing, is ideal for reception rooms, hotel rooms, libraries, etc....closing speed and the hold-open angle can be easily adjusted.
4. Functional, durable, and attractive....a needle bearing smoothly operates the stylish closer.

Models and applicable standard doors

Model	Applicable doors (indoors only)	
	Dimensions (mm)	Weight (kg)
No. 1628U (with hold-open device)	900×2,100	25-45
No. 1638U (with hold-open device)	950×2,100	40-65

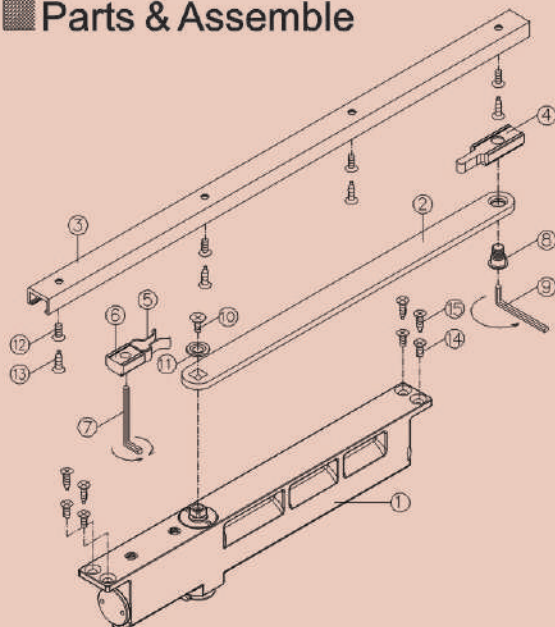
Adjustment of Hold-Open Angle

Install a hold-open device as shown in the table for hold-open angles. The hold-open angle will vary with the type of hinge.

Installation and Precautions

- This closer can be installed with butt hinge or pivot-hinge doors. Standard or reverse installation is possible in either door.
- For standard installation, the width of wooden door must be at least 40mm, and that of a sash door, 36mm.
- For reverse installation, a wooden door must be at least 40mm wide, and a sash door, 36mm wide.
- Use a butt-hinge door if the door must open 180°.
- Installation dimensions vary somewhat with the type of hinge.
- The distance between the top of the door and the ceiling should be at least 50mm for later adjustment.
- With pivot hinges, install a hold-open device or door stopper to prevent the door from poening beyond its maximum opening angle.

Parts & Assemble

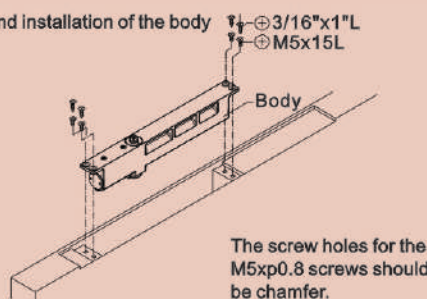


NO	Parts	QTY
①	Body	1
②	Main arm	1
③	Track	1
④	Sliding part	1
⑤	Spring plate	1
⑥	Fixing part	1
⑦	Wrench 4mm	1
⑧	Fixing screw M3	1
⑨	Wrench 5mm	1
⑩	M6x12L	1
⑪	Washer	1
⑫	M5x15L	4
⑬	3/16"x1"L(Wooder screw)	4
⑭	M5x15L	4
⑮	3/16"x1"L(Wooder screw)	4

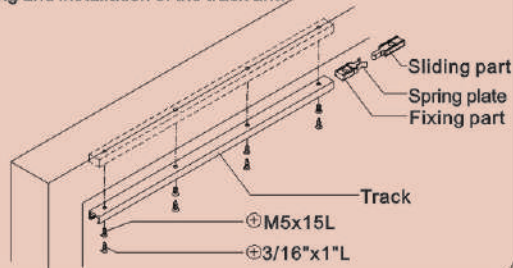
Suitable for RH/LH USE

INSTALLATION

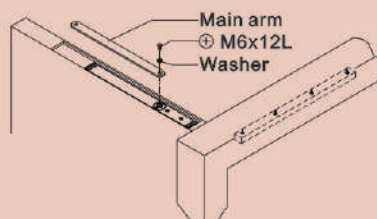
① Fixing and installation of the body



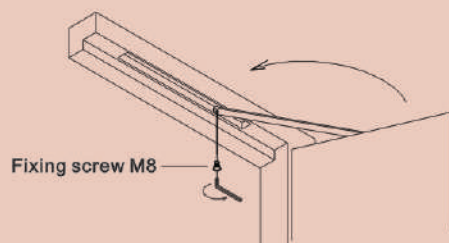
② Fixing and installation of the track arm



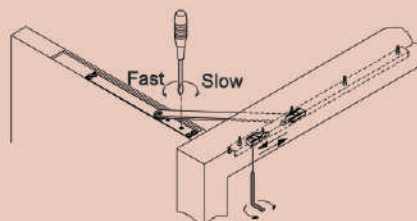
③ Combining the main arm and body



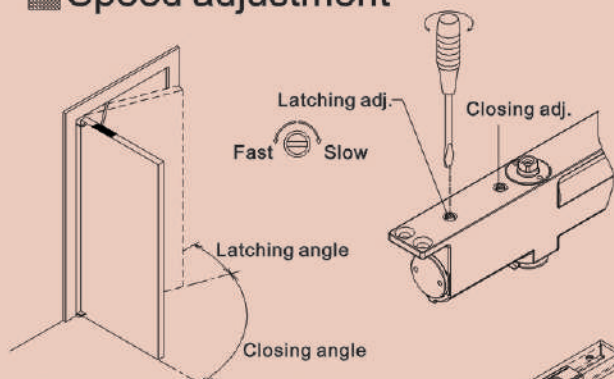
④ Combining the main arm and the sliding plastic part in the track



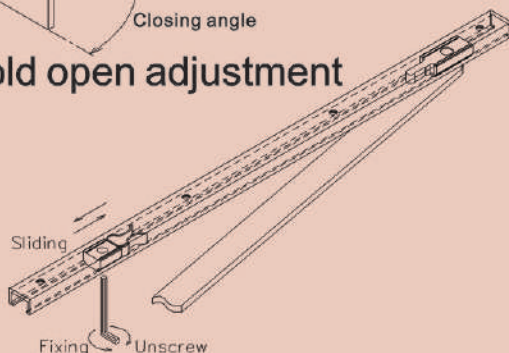
⑤ Opening angle and closing speed adjustment



Speed adjustment



Hold open adjustment



KENWA CO., LTD.

Head Office

12th Floor, Tower West, Umeda Skybuilding 1-30 Oyodonaka 1-Chome, Kita-ku Osaka 531-0076 Japan
 TEL:(0081)6 6 454 9721 FAX:(0081)6 6 454 9726
<http://www.kenwa.co.jp> E-mail:info@kenwa.co.jp

UK Office

The Grainger Suite, Regent Centre, Gosforth Newcastle upon Tyne, NE3 3PF, UK
 TEL:+44(0)191 233 6323 FAX:+44(0)191 284 0222
<http://www.micomautodoor.com> E-mail:info@kenwa.co.uk

